


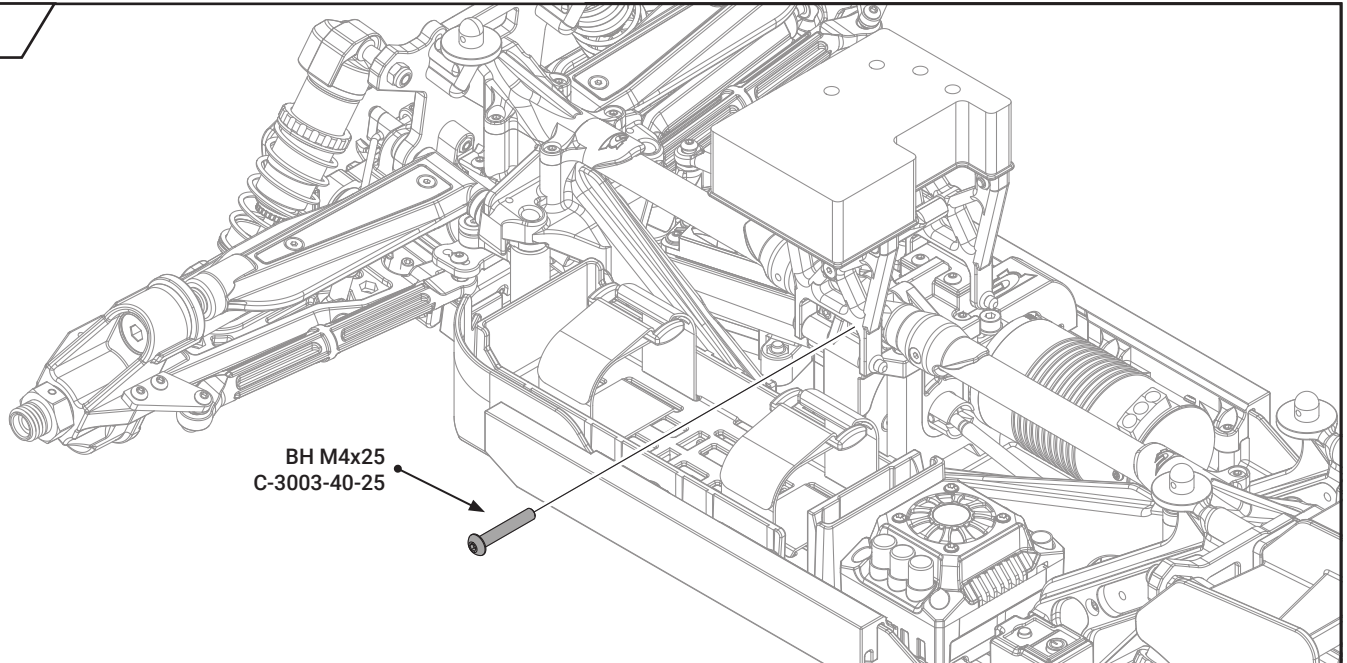
Required Tools:

- 2.5 Hex Driver
- Thread-locker 

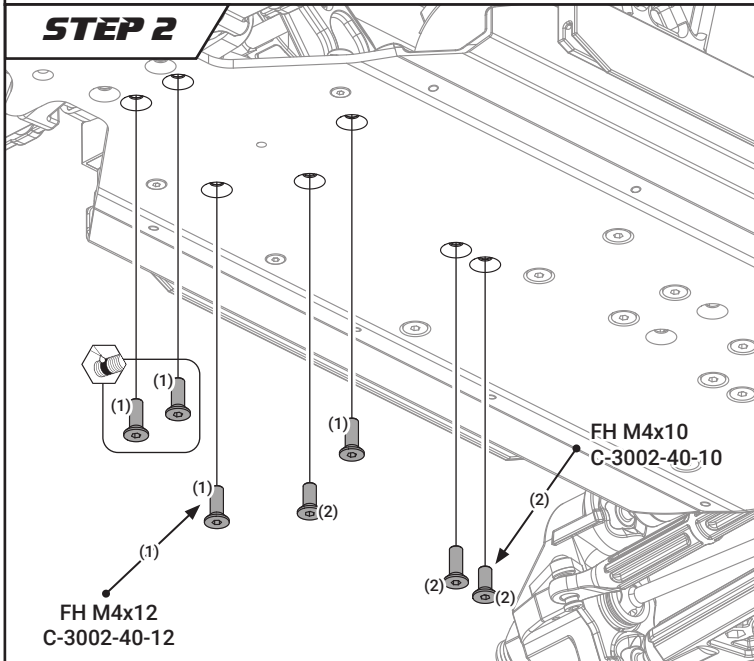
Finish Before:

- Rear Skid Plate

STEP 1



STEP 2



STEP 3

